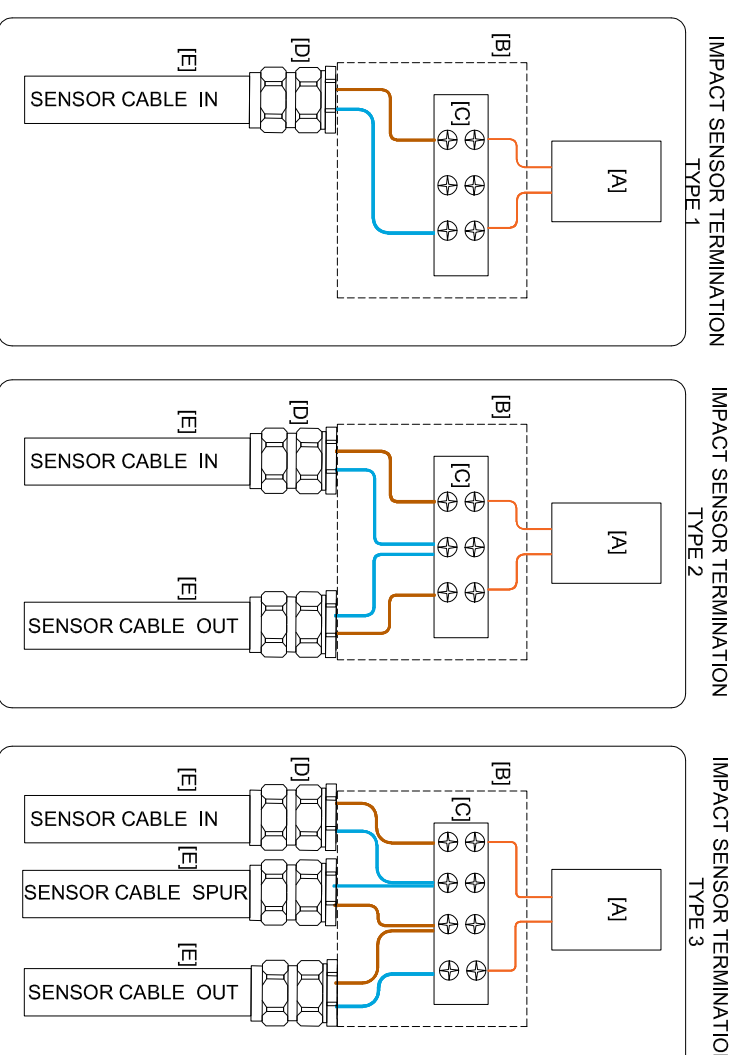


SPECIFICATION

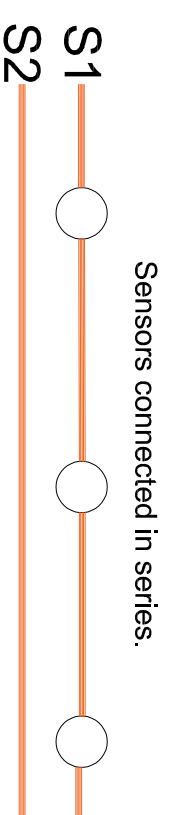
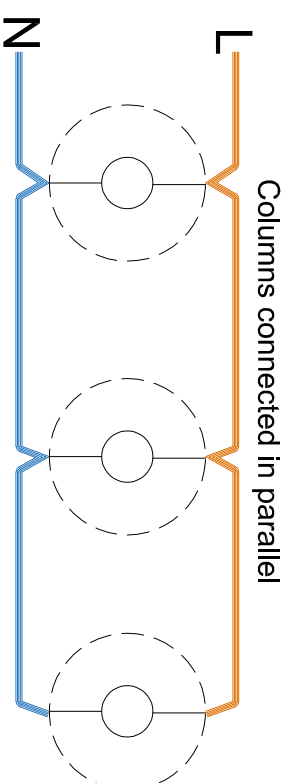
1. SIS Sensor mounting enclosure.
2. Sensor mounted on the enclosure front cover.
3. Enclosures are supplied rotated to 45 degrees to aid cabling down the side of the column cutout.
4. Enclosures supplied with CW20s brass cable glands, plastic glands can be supplied as an alternative if requested.
5. Enclosures are supplied with connectors in 2, 3 or 4 way.
6. Sensors must be connected in series.

SIS sensor mounting enclosure, consisting of a 80 x 80 x55 enclosure. The unit has a screw on lid with the sensor mounted on it. Enclosures will be supplied rotated at 45 degrees unless requested otherwise.



Item	Description
[A]	SIS Impact sensor mounted vertically above the cutout, attached to enclosure lid.
[B]	IP65 Plastic enclosure that will be mounted rotated to 45%
[C]	Terminal block with two, three or four cage crimp terminals.
[D]	SWA cable gland CW20s.
[E]	Orange 2 core SWA incoming sensor cable, to TR2031.

INDICATIVE LAYOUTS



WIRING DIAGRAMS

TITLE

Sensor Enclosures - Standard Detail

REVISION	DATE
000	26/09/24
SCALE	DRAWING NUMBER
NTS	PACS/SD/2024/009